

**harman/kardon®**  
by HARMAN

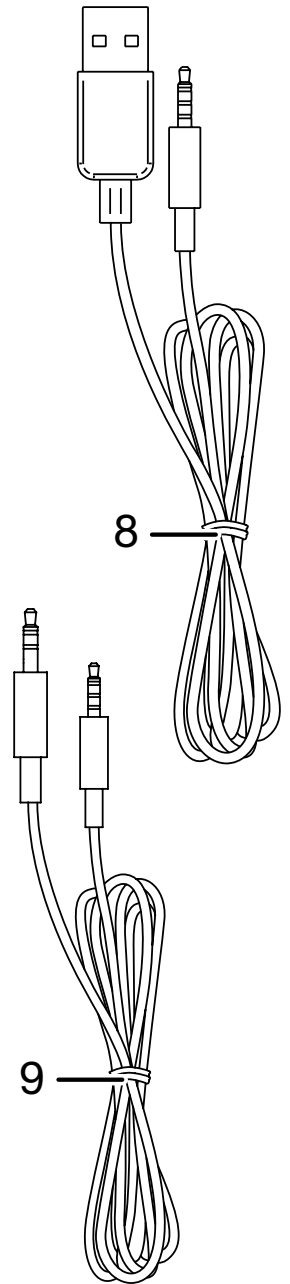
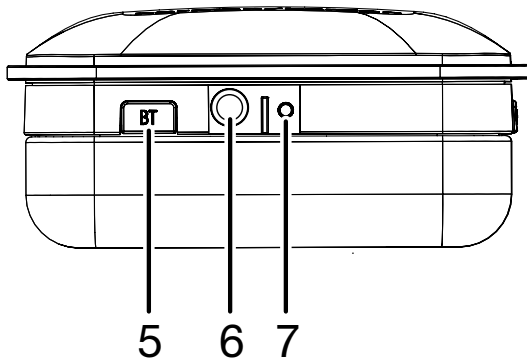
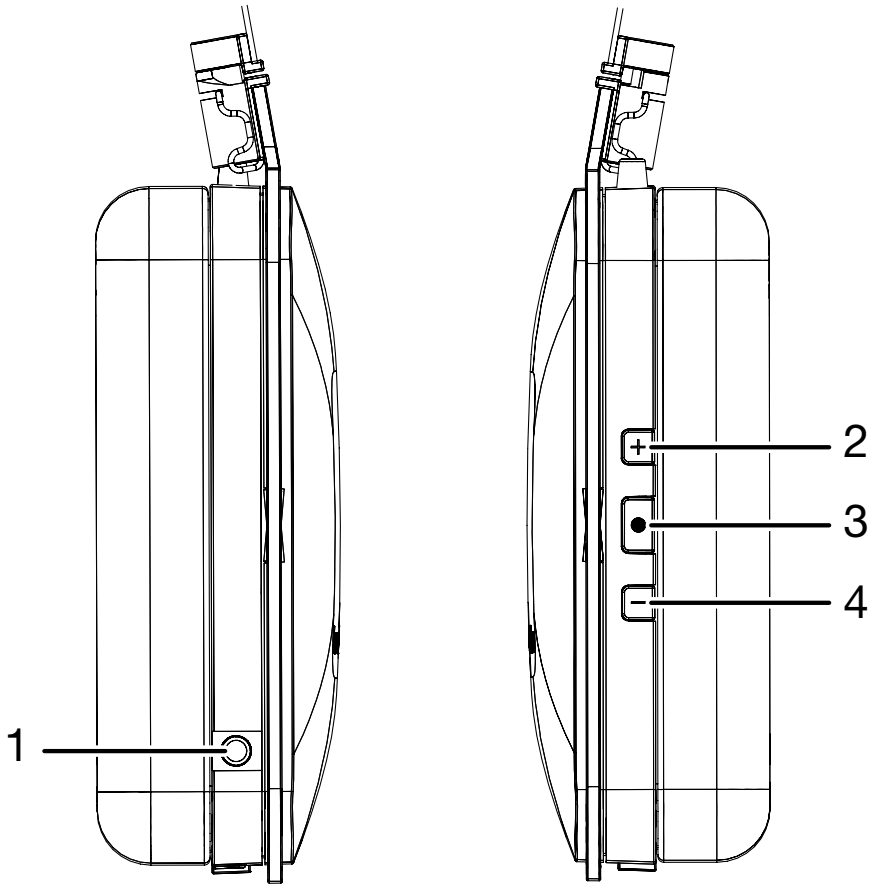


OWNER'S MANUAL

**BT**



PREMIUM WIRELESS OVER-EAR HEADPHONES  
CASQUES CIRCUM-AURICULAIRES PREMIUM SANS FIL



<p><b>EN</b> 1) Microphone 2) + button 3) ● button 4) – button 5) BT button/BT LED 6) Charging connector 7) Charging LED 8) Charging cable 9) Bypass cable</p>	<p><b>DE</b> 1) Mikrofon 2) Taste „+“ 3) Taste „●“ 4) Taste „-“ 5) Taste BT/BT-LED 6) Ladeanschluss 7) Lade-LED 8) Ladekabel 9) Verbindungskabel</p>	<p><b>SC</b> 1) 话筒 2) “+” 按钮 3) “●” 按钮 4) “-” 按钮 5) “BT” 按钮/BT LED 指示灯 6) 充电接口 7) 充电 LED 指示灯 8) 充电线缆 9) 旁路线缆</p>	<p><b>FI</b> 1) Mikrofon 2) +-painike 3) ●-painike 4) –painike 5) BT-painike/BT LED 6) Latausliitin 7) Lataus-LED 8) Latauskaapeli 9) Ohituskaapeli</p>
<p><b>FR</b> 1) Microphone 2) Bouton + 3) Bouton ● 4) Bouton – 5) Bouton/témoin BT 6) Connecteur de charge 7) Témoin de charge 8) Câble de charge 9) Câble de dérivation</p>	<p><b>IT</b> 1) Microfono 2) Pulsante + 3) Pulsante ● 4) Pulsante - 5) Pulsante BT/BT LED 6) Connettore di carica 7) LED di ricarica 8) Cavo di ricarica 9) Cavo di bypass</p>	<p><b>TC</b> 1) 麥克風 2) + 按鈕 3) ● 按鈕 4) – 按鈕 5) BT 按鈕/BT LED 6) 充電連接器 7) 充電 LED 8) 充電電纜 9) 跳接電纜</p>	<p><b>RU</b> 1) Микрофон 2) Кнопка «+» 3) Кнопка «●» 4) Кнопка «-» 5) Кнопка/светодиод «BT» 6) Зарядный разъем 7) Зарядный светодиод 8) Зарядный кабель 9) Соединительный кабель</p>
<p><b>ES</b> 1) Micrófono 2) Botón + 3) Botón ● 4) Botón – 5) Botón BT/LED BT 6) Conector de carga 7) LED de carga 8) Cable de carga 9) Cable de derivación</p>	<p><b>JP</b> 1) マイクロホン 2) + ボタン 3) ● ボタン 4) – ボタン 5) BT ボタン/BT LED 6) 充電コネクタ 7) 充電 LED 8) 充電用ケーブル 9) バイパスケーブル</p>	<p><b>NL</b> 1) Microfoon 2) Toets + 3) Toets ● 4) Toets – 5) BT-toets/BT-LED 6) Oplaadaansluiting 7) Laadlampje (LED) 8) Opladekabel 9) Bypasskabel</p>	<p><b>SE</b> 1) Mikrofon 2) Knappen + 3) Knappen ● 4) Knappen – 5) Knappen BT/lysdioden BT 6) Laddningskontakt 7) Laddningslysdiod 8) Laddningskabel 9) Förbigångskabel</p>
<p><b>PT</b> 1) Microfone 2) Botão + 3) Botão ● 4) Botão – 5) Botão BT/LED BT 6) Conector de carregamento 7) LED de carregamento 8) Cabo de carregamento 9) Cabo de passagem</p>	<p><b>KO</b> 1) 마이크 2) + 버튼 3) ● 버튼 4) – 버튼 5) BT 버튼/BT LED 6) 충전 커넥터 7) 충전 LED 8) 충전 케이블 9) 바이패스 케이블</p>	<p><b>NO</b> 1) Mikrofon 2) + knapp 3) ●-knapp 4) – knapp 5) BT-knapp/BT-lampe 6) Ladekontakt 7) Ladelampe 8) Ladekabel 9) Omkoblingsledning</p>	<p><b>DK</b> 1) Mikrofon 2) Knappen + 3) Knappen ● 4) Knappen – 5) BT-knap/BT LED 6) Opladningsstik 7) Opladnings-LED 8) Opladningskabel 9) Bypasskabel</p>

NOTE: If the headphones with the factory-installed metal bow do not fit comfortably on your head, you can install the supplied larger metal bow to achieve a more comfortable fit. Refer to the accompanying sheet for instructions on changing the bow.

## CHARGING YOUR HEADPHONES

1. Connect the supplied charging cable to the charging connector and to another device's standard USB port. The charging LED will illuminate red. Note: You cannot use the headphones while they are charging.
2. Charging time is approximately 2 hours. (Charging from mobile devices such as laptop computers may take longer.) When the headphones are fully charged the charging LED will turn off.

During normal operation, when the battery is low the BT LED will flash red slowly.

## TURNING YOUR HEADPHONES ON AND OFF

Press the BT button for approximately two seconds to turn the headphones on and off. The BT LED illuminates blue for two seconds to indicate that the headphones are on, then turns off. The BT LED illuminates red for approximately two seconds to indicate that the headphones are off, then turns off.

## PAIRING YOUR HEADPHONES WITH A BLUETOOTH-CAPABLE DEVICE

1. Turn the headphones off.
2. Press and hold the BT button for six seconds. The BT LED will flash blue rapidly.
3. Perform a new device search on your *Bluetooth*-capable device.
4. Select "harman BT." If your device requests a passcode, use **0000**.
5. When the headphones are paired with the device, the BT LED will flash blue twice and turn off for five seconds; it will continue in this pattern while the headphones are paired and in standby.

If your harman/kardon BT headphones were paired with your device the last time you used them, it is likely all you will have to do to re-establish the connection is turn your the headphones on.

- The *Bluetooth* operating range (depending on your device) is approximately 26 feet (8m).

## OPERATION: MUSIC

Depending on your *Bluetooth*-capable device's software version, some of the functions mentioned in this owner's manual may not be supported.

Play/Pause:	Press the ● button
Skip ahead to the next track:	Press the ● button quickly two times
Skip ahead to the last track:	Press the ● button quickly three times
Raise and lower the volume:	Press the + and – buttons

If the harman/kardon BT headphones battery is empty or you do not need Bluetooth functionality you can use the supplied bypass cable to connect the headphones to a device that has a standard 3.5mm stereo headphone connector. (Turn the headphones off before connecting the cable.)

Note: The headphone controls do not function in this mode. Use the controls on the device.

## OPERATION: PHONE

To place or end a call:	Press the ● button
To reject an incoming call:	Press and hold the ● button
Raise and lower the volume:	Press the + and – buttons

During a call, pressing the ● button will transfer the call between the HK BT headphones and the transmitting phone.

## RESETTING THE CONNECTIONS

1. Turn the headphones off.
2. Press and hold the BT button and the – button simultaneously for more than eight seconds.

## LED INDICATIONS

■ = blue ■ = red □ = off

BT LED ACTIVITY	STATE
■ ■ ■ ■ ■ ■ ■ ■	Power On
■ ■ ■ ■ ■ ■ ■ ■	Power off
■ ■ ■ ■ ■ ■ ■ ■	Bluetooth pairing mode/incoming call/ outgoing call
■ ■ ■ ■ ■ ■ ■ ■	Standby (paired with Bluetooth device)/ Active call
■ ■ ■ ■ ■ ■ ■ ■	Standby/AAC mode play – pause
■ ■ ■ ■ ■ ■ ■ ■	Standby/apt-X mode play – pause
■ ■ ■ ■ ■ ■ ■ ■	Standby (not paired with Bluetooth device)
■ ■ ■ ■ ■ ■ ■ ■	Low battery
■ ■ ■ ■ ■ ■ ■ ■	Connections reset

CHARGING LED ACTIVITY	INDICATION
●	Charging
○	Charged

## SPECIFICATIONS

Frequency range:	2.4GHz – 2.4835GHz
Transmitter power:	<3.0mW
Modulation:	GFSK/ π /4-DQPSK/8-DPSK
Charger voltage:	5V
Nominal voltage:	3.7V DC
Operating temperature:	+41°F – +95°F (+5°C – +35°C)
Supports Bluetooth 2.1+EDR, A2DP v1.2, AVRCP v1.0, HSP v1.2 and HFP v1.5.	
Supports AAC, aptX, cVc.	

## WARNING

- Do not expose the headphones to excessively high temperatures (i.e. do not use in strong direct sunlight or in a hot vehicle).
- Do not expose the headphones to dripping or splashing liquids.
- Do not place objects filled with liquids, such as vases, on the headphones.
- Do not place a naked flame source, such as a lighted candle, on the headphones.
- Do not block ventilation openings with items such as newspapers, tablecloths, curtains, etc.
- Do not expose the battery to excessive heat, such as from direct sunlight, fire, or similar.
- Follow local environmental regulations regarding battery disposal.
- Listening to headphones at excessive sound pressure levels can cause hearing loss.
- If you suspect any kind of battery defect (such as leakage, smell or overheating when not in use) or any other damage, stop using the headphones.
- Do not open the headphones under any circumstances.
- These headphones contain small parts that are hazardous if ingested or inhaled: keep away from small children when they are unattended.
- Only use this device with the cables supplied.

## FCC AND IC REGULATIONS (USA AND CANADA ONLY)

### FCC AND IC INFORMATION FOR USERS:

This device complies with Part 15 of the FCC rules and Industry Canada license-exempt RSS 210. Operation is subject to the following two conditions: (1) This device may not cause harmful interference, and (2) this device must accept any interference received, including interference that may cause undesired operation."

Le présent appareil est conforme aux CNR d'Industrie Canada applicables aux appareils radio exempts de licence. L'exploitation est autorisée aux deux conditions suivantes (1) l'appareil ne doit pas produire de brouillage, et (2) l'utilisateur de l'appareil doit accepter tout brouillage radioélectrique subi, même si le brouillage est susceptible d'en compromettre le fonctionnement."

**RSS-102 Statement:** This equipment complies with Industry Canada radiation exposure limits set forth for an uncontrolled environment.

Déclaration CNR-102: Cet équipement est conforme à l'exposition aux rayonnements Industrie Canada limites établies pour un environnement non contrôlé.

### CAUTION: EXPOSURE TO RADIO FREQUENCY RADIATION



To comply with FCC RF exposure compliance requirements, this device must not be co-located or operating in conjunction with any other antenna or transmitter.

**CAUTION:** Changes or modifications not expressly approved in writing by HARMAN International may void the user's authority to operate this equipment.

### EN

AKG Acoustics GmbH herewith declares that the headphones harman/kardon BT are in compliance with the essential requirements and other relevant provisions of Directive 1999/5/EC. To order your free copy of our Declaration of Conformity, please visit <http://www.harmankardon.com>.

### FR

Par la présente, AKG Acoustics GmbH déclare que les appareils harman/kardon BT sont conformes aux exigences essentielles et aux autres dispositions pertinentes de la directive 1999/5/CE. Vous pouvez prendre connaissance de la déclaration de conformité en consultant le site <http://www.harmankardon.com>.

### DE

Hiermit erklärt AKG Acoustics GmbH, dass der harman/kardon BT die wesentlichen Anforderungen und sonstigen einschlägigen Bestimmungen der Richtlinie 1999/5/EG erfüllt. Sie können die Konformitätserklärung auf <http://www.harmankardon.com> anfordern.

### IT

Con la presente AKG Acoustics GmbH dichiara che i prodotti harman/kardon BT sono conformi ai requisiti essenziali ed alle altre disposizioni pertinenti stabilite dalla direttiva 1999/5/CE. La dichiarazione di conformità è disponibile al sito <http://www.harmankardon.com>.

### ES

Por medio de la presente, AKG Acoustics GmbH declara que x harman/kardon BT cumplen con los requisitos esenciales y cualesquiera otras disposiciones de la directiva 1999/5/CE. La declaración de conformidad esta disponible en el sitio [web <http://www.harmankardon.com>](http://www.harmankardon.com).

### PT

A AKG Acoustics GmbH declara por este meio que o produto harman/kardon BT esta conforme com os requisitos essenciais e outras disposições aplicáveis da directiva 1999/5/CE. A declaração de conformidade pode ser solicitada no nosso site <http://www.harmankardon.com>.

### NL

Hiermee verklaart AKG Acoustics GmbH dat de harman/kardon BT voldoen aan de wezenlijke eisen en andere relevante bepalingen van richtlijn 1999/5/EG. U kunt de conformiteitsverklaring lezen op <http://www.harmankardon.com>.

### PL

Spółka AKG Acoustics GmbH oświadcza niniejszym, że produkty harman/kardon BT spełniają najważniejsze wymagania i odnośne postanowienia dyrektywy 1999/5/WE. Aby otrzymać bezpłatny egzemplarz deklaracji zgodności, proszę wejść na stronę internetową <http://www.harmankardon.com>.

### CS

AKG Acoustics GmbH tímto prohlašuje, že výrobky harman/kardon BT splňují hlavní požadavky a ostatní příslušná ustanovení směrnice 1999/5/ES. Prohlášení o shodě si můžete vyžádat zdarma na <http://www.harmankardon.com>.

### SL

AKG Acoustics GmbH týmto vyhlasuje, že výrobky harman/kardon BT splňujú hlavné požiadavky a ostatné príslušné ustanovenia smernice 1999/5/ES. Vyhlásenie o zhode si môžete vyžadať zdarma na <http://www.harmankardon.com>.

### HU

Az AKG Acoustics GmbH ezennel kijelenti, hogy a harman/kardon BT termék az 1999/5/EK irányelv lényeges követelményeinek és egyéb idevago rendelkezéseinek megfelelően. A megfelelősegi nyilatkozatot a következő címen igényelheti: <http://www.harmankardon.com>.

### RUM

Societatea AKG Acoustics GmbH declară prin prezenta că harman/kardon BT îndeplinesc cerințele esențiale și celelalte dispoziții în materie ale directivei 1999/5/CE. Dumneavoastră puteți solicita Declarația de Conformitate la adresa <http://www.harmankardon.com>.

## RADIO AND TELEVISION INTERFERENCE

**NOTE:** This equipment has been tested and found to comply with the limits for a Class B digital device, pursuant to Part 15 of the FCC Rules. These limits are designed to provide reasonable protection against harmful interference in a residential installation. This equipment generates, uses and can radiate radio frequency energy and, if not installed and used in accordance with the instructions, may cause harmful interference to radio communications. However, there is no guarantee that interference will not occur in a particular installation. If this equipment does cause harmful interference to radio or television reception, which can be determined by turning the equipment off and on, the user is encouraged to try to correct the interference by one or more of the following measures:

- Reorient or relocate the receiving antenna.
- Increase the separation between the equipment and receiver.
- Connect the equipment into an outlet on a circuit different from that to which the receiver is connected.
- Consult the dealer or an experienced radio/TV technician for help.

### BUL

С настоящото AKG Acoustics GmbH декларира, че harman/kardon BT отговарят на съществените изисквания и на другите разпоредби на директива 1999/5/ЕО. Декларацията за съответствие можете да намерите на <http://www.harmankardon.com>.

### DK

Herved erklærer AKG Acoustics GmbH, at produkt harman/kardon BT er i overensstemmelse med de væsentlige krav og øvrige relevante bestemmelser i direktiv 1999/5/EF. En gratis kopi af overensstemmelseserklæringen kan bestilles ved at besøge <http://www.harmankardon.com>.

### EST

Käesolevaga deklareerib AKG Acoustics GmbH, et tooted harman/kardon BT vastavad direktiivi 1999/5/EU põhilistele nõuetele ning teiste asjakohaste sätetele. Te võite vastavusavaldusega tutvuda veebilehel <http://www.harmankardon.com>.

### FIN

AKG Acoustics GmbH vakuuttaa, että harman/kardon BT täyttävät sita koskevat oleelliset vaatimukset ja muut direktiivin 1999/5/EY ehdot. Vaatimustenmukaisuusvakuutuksen ilmaisen kopion voi tilata sivustosta <http://www.harmankardon.com>.

### GR

Με την παρούσα δήλωση η εταιρεία AKG Acoustics GmbH ότι τα harman/kardon BT ανταποκρίνονται στις βασικές απαιτήσεις και λοιπές σχετικές διατάξεις της Οδηγίας 1999/5/ΕΚ. Τη δήλωση συμμόρφωσης μπορείτε να τη βρείτε στο <http://www.harmankardon.com>.

### ISL

AKG Acoustics GmbH lýsr tví her með yfir að harman/kardon BT standast aðalkröfur og önnur ákvæði 1999/5 reglugerðar Evrópusambandsins. Hagt er að þanta frítt eintak af stadalýsingunni á vefsíðunni <http://www.harmankardon.com>.

### LET

Firma AKG Acoustics GmbH apliecina, ka produkti harman/kardon BT atbilst 1999/5/eg direktīvas prasībām un citiem svarīgiem noteikumiem. Atbilstības deklarāciju Jūs varat pieprasīt Interneta mājas lapā <http://www.harmankardon.com>.

### MAL

AKG Acoustics GmbH hawn tidlikjara li l-prodott harman/kardon BT huwa konformi mar-rekwiziti essenzjali provvedimenti oħra rilevanti tad-direttiva 1999/5/eC. Biex tordna kopja tad-dikjarazzjoni ta' konformita' b'xejn, zur is-it elektroniku <http://www.harmankardon.com>.

### NOR

AKG Acoustics GmbH erklærer hermed at harman/kardon BT overholder alle væsentlige krav og tilhørende bestemmelser i henhold til EF-retningslinje 1999/5/EF. En kopi av samvarserklæringen er a finne på <http://www.harmankardon.com>.

### LIT

Šiu raštu AKG Acoustics GmbH pareiškia, jog harman/kardon BT atitinka esminius direktyvos 1999/5/eC reikalavimus bei kitas jos specialiajais sąlygas. Norėdami užsisakyti produkto atitikimo deklaraciją (declaration of Conformity), aplankykite interneto tinklapį <http://www.harmankardon.com>.

### SLO

S tem potrdilom podjetje AKG Acoustics GmbH zagotavlja, da proizvodi harman/kardon BT ustrezajo bistvenim zahtevam in siceršnjim zadevnim določbam smernice 1999/5/eg. Izjavo o skladnosti lahko zasledite tudi na spletni strani <http://www.harmankardon.com>.

CE0168



**HARMAN**

HARMAN International Industries, Incorporated  
8500 Balboa Boulevard, Northridge, CA 91329 USA  
516.255.4545 (USA only)

Made in P.R.C.

© 2012 HARMAN International Industries, Incorporated. All rights reserved. Harman Kardon is a trademark of HARMAN International Industries, Incorporated, registered in the United States and/or other countries. Features, specifications and appearance are subject to change without notice.